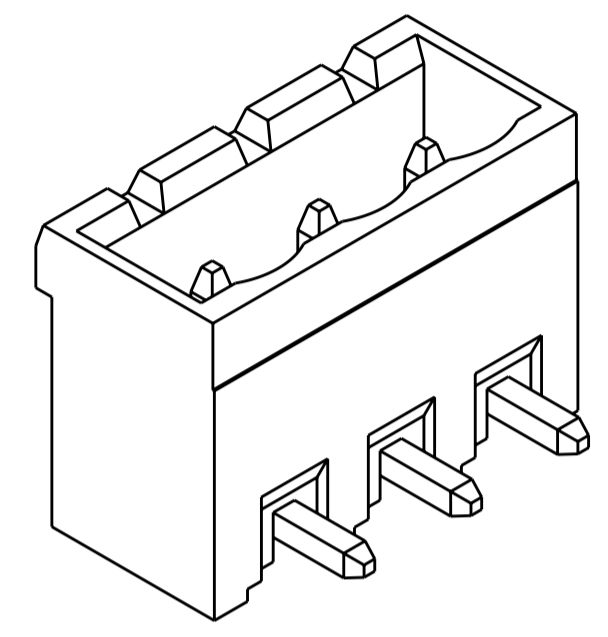
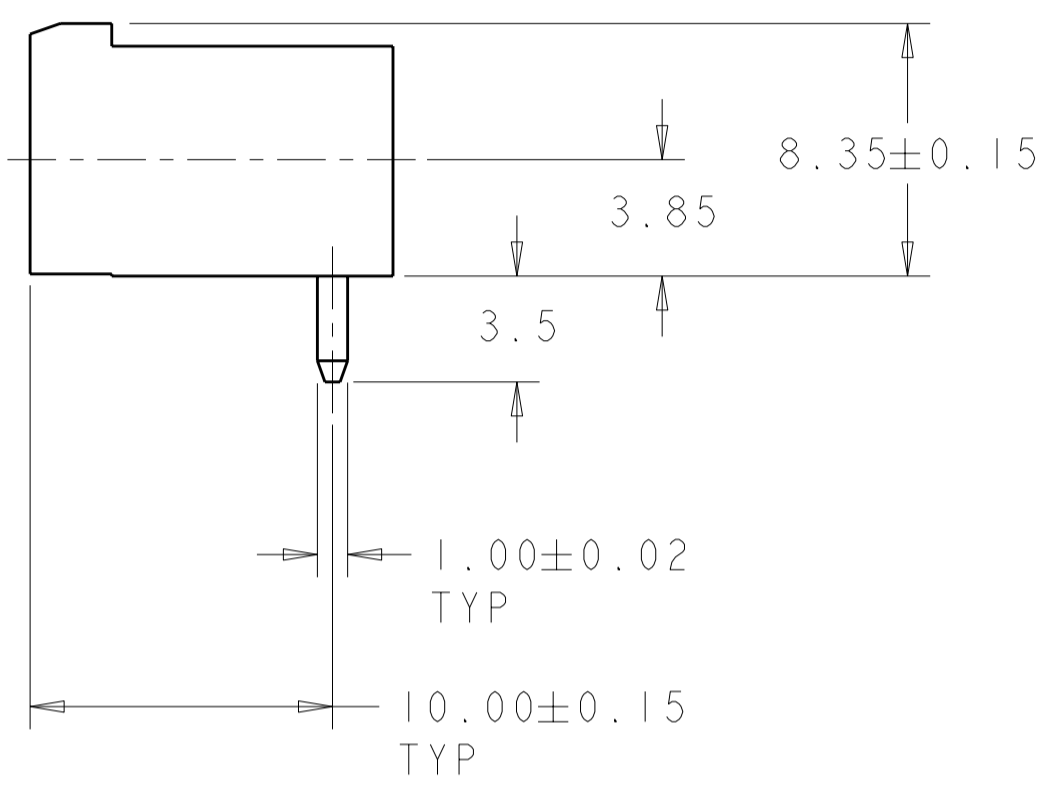
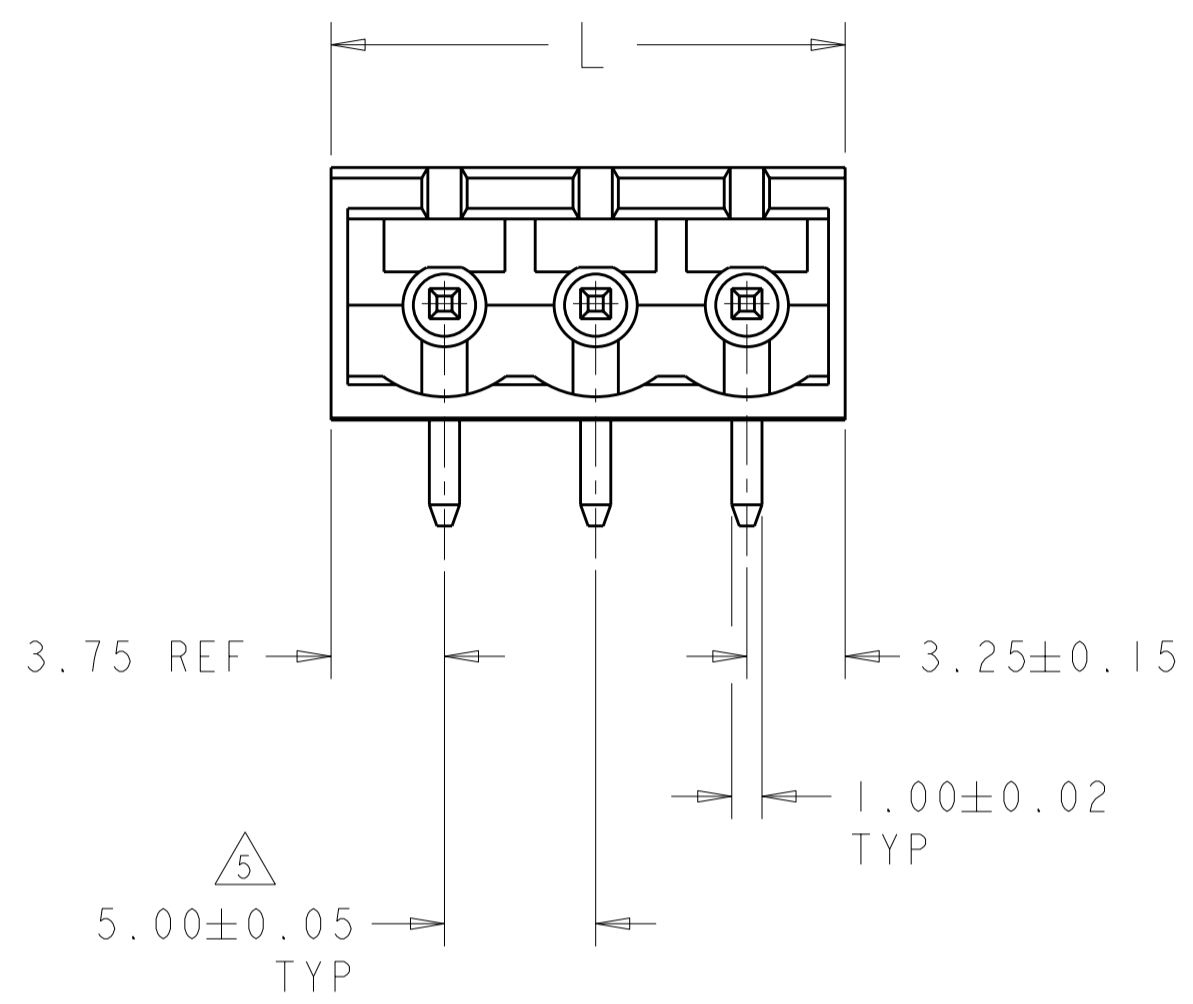
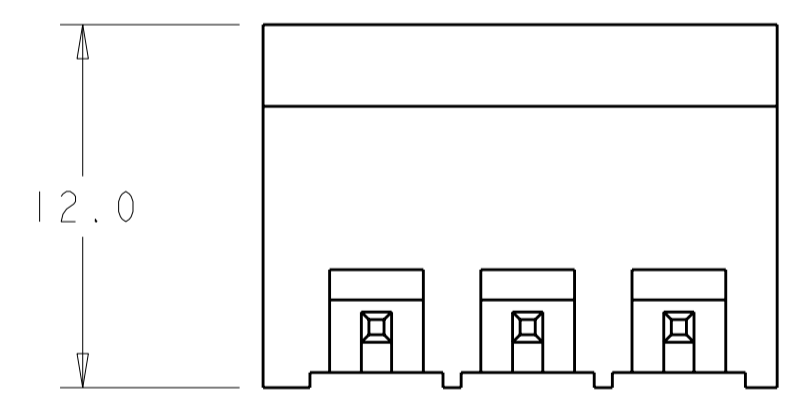


THIS DRAWING IS UNPUBLISHED. RELEASED FOR PUBLICATION 20  
 © COPYRIGHT 20 BY - ALL RIGHTS RESERVED.

LOC	DIST	REVISIONS			
P	LTR	DESCRIPTION	DATE	DWN	APVD
FT	0	AI	REVISED PER ECO-12-007711	25APR2012	KH MS

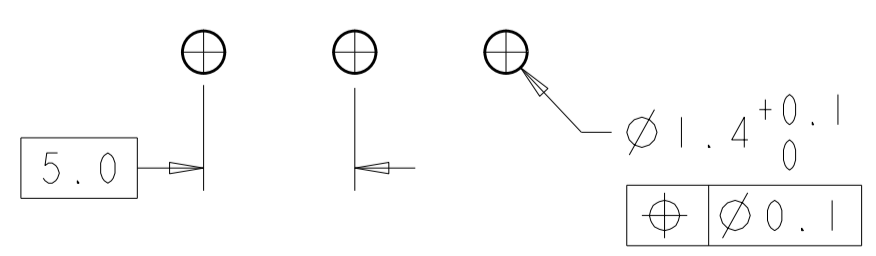


796700-3 AS SHOWN



- 1. MATERIALS AND FINISH:  
 HOUSING: PA 6-6, UL 94-V0, COLOR: BLUE.  
 TERMINAL: COPPER ALLOY, TIN PLATED.
- 2. SUITABLE FOR 1,6-2, 4mm PC BOARD THICKNESS.
- 3. RECOGNIZED UNDER THE COMPONENT PROGRAM OF UNDERWRITERS LABORATORIES INC. FILE N° E60677.
- 4. IMQ CERTIFICATE WITH SURVEILLANCE IN CONFORMITY WITH IEC 998-1/998-2-1.)
- 5. NOT CUMULATIVE TOLERANCE

127.0	25	2-796700-5
122.0	24	2-796700-4
117.0	23	2-796700-3
112.0	22	2-796700-2
107.0	21	2-796700-1
102.0	20	2-796700-0
97.5	19	1-796700-9
92.0	18	1-796700-8
87.0	17	1-796700-7
82.0	16	1-796700-6
77.0	15	1-796700-5
72.0	14	1-796700-4
67.0	13	1-796700-3
62.0	12	1-796700-2
57.0	11	1-796700-1
52.0	10	1-796700-0
47.0	9	796700-9
42.0	8	796700-8
37.0	7	796700-7
32.0	6	796700-6
27.0	5	796700-5
22.0	4	796700-4
17.0	3	796700-3
12.0	2	796700-2
DIM L	NO OF POSN	PART NUMBER



RECOMMENDED PC BOARD LAYOUT

THIS DRAWING IS A CONTROLLED DOCUMENT.		DWN S.WELDON 05FEB2001	TE Connectivity	
DIMENSIONS: mm		CHK D.BIEVENOUR 05FEB2001		
TOLERANCES UNLESS OTHERWISE SPECIFIED:		APVD D.BIEVENOUR 05FEB2001	NAME	
0 PLC ±-		PRODUCT SPEC	TERMINAL BLOCK HEADER ASSEMBLY, 90 DEGREE, CLOSED ENDS, 5.00mm PITCH	
1 PLC ±0.2		APPLICATION SPEC	SIZE	CAGE CODE
2 PLC ±-		WEIGHT	A200779	C=796700
3 PLC ±-		CUSTOMER DRAWING	SCALE 4:1	SHEET OF
4 PLC ±-				REV AI
ANGLES ±-				
FINISH				